

Marine Approved Multiscan LCD Monitor

In common with normal TFT Liquid Crystal Displays, this monitor can be used with standard PC graphics cards. However, this monitor can also be used with Legacy systems which use non-standard display controllers where normal TFT Displays cannot be used.

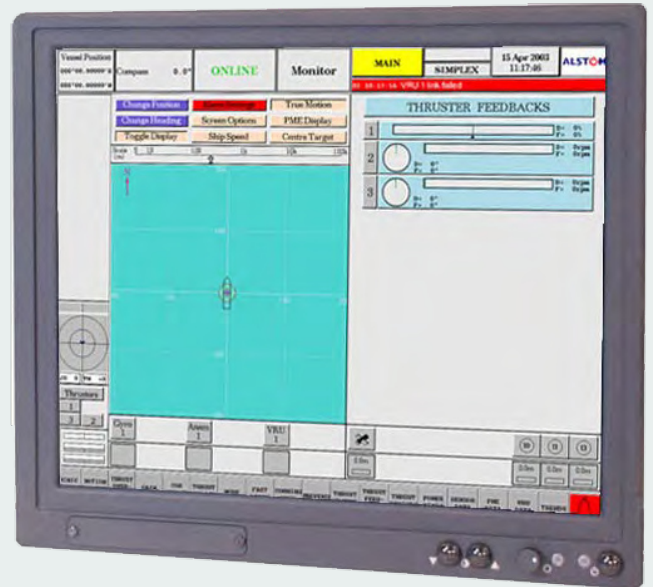
Signal Recognition and Scaling software offer the user the ability to adjust the displayed picture in both horizontal and vertical size allowing almost any slow scan video mode to be displayed.

Designed specifically to meet the stringent demands of marine environment in particular IEC 60945 for Maritime Navigation and Radio Communications Equipment & Systems. Resolutions up to 1280 x 1024 pixels can be displayed with superb image quality. In addition to Panel mounting or VESA fixing at the rear, there is an optional mounting bracket for Desktop or Overhead installation.

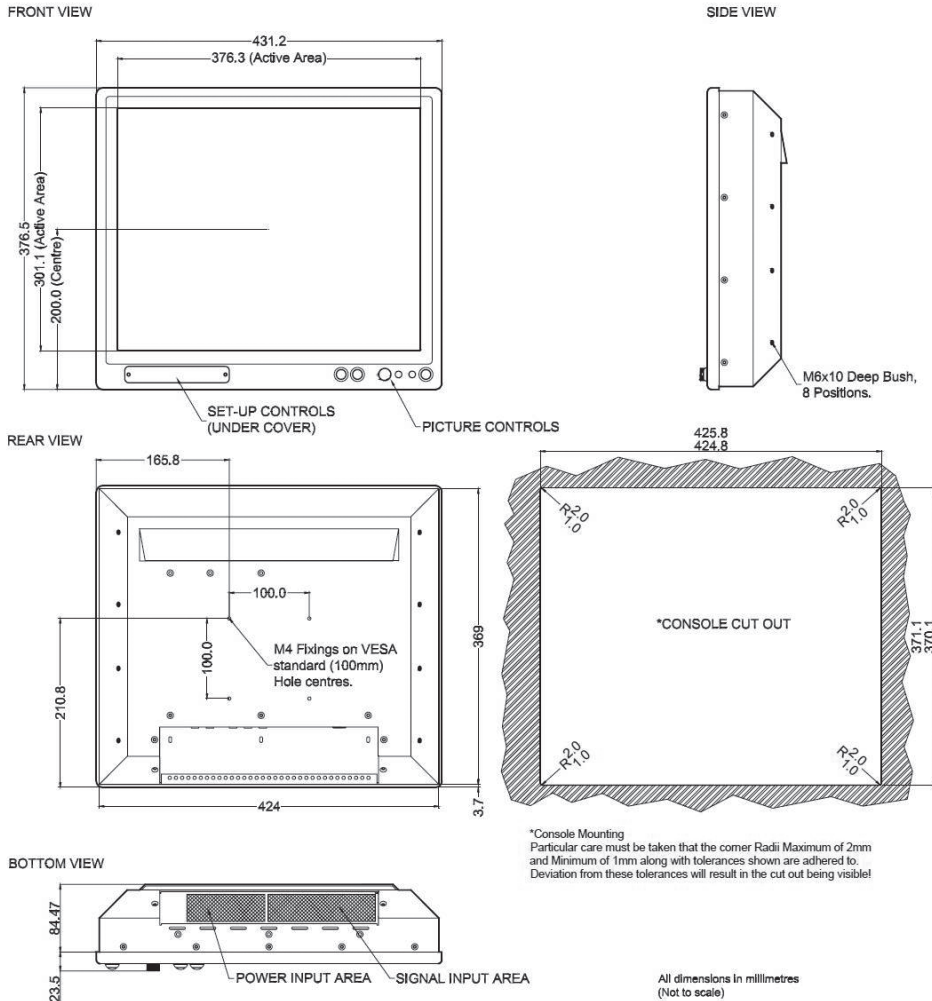
Features

- Accepts Non-Standard Video Signals
- Advanced Deep Dimming 2000:1 - KME has developed a deep dimming solution for the marine range which provides smooth constant dimming to 2000:1 (dim to black is available on request)
- Analog & TTL Video Inputs
- Certified & Approved - The marine range is designed to comply with EN 60945 and EN 60950. In the case of the 17" and 19" monitors some are already certified and approved to these standards
- Contrast Enhancing AR Safety Glass
- Designed for Desktop or Panel mount

*19" LCD Marine Head Mount Monitor
CRT Replacement
29LM193D55UNP*

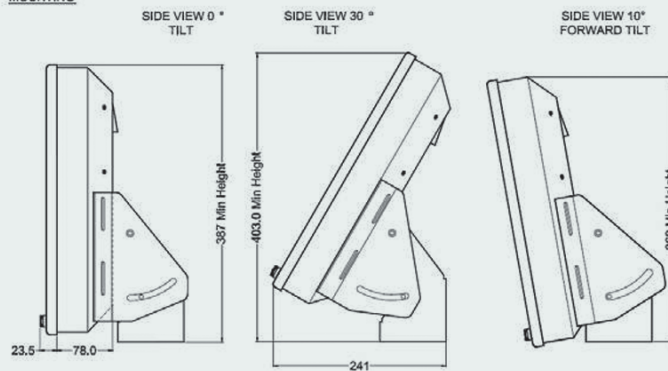


Specifications: see next page

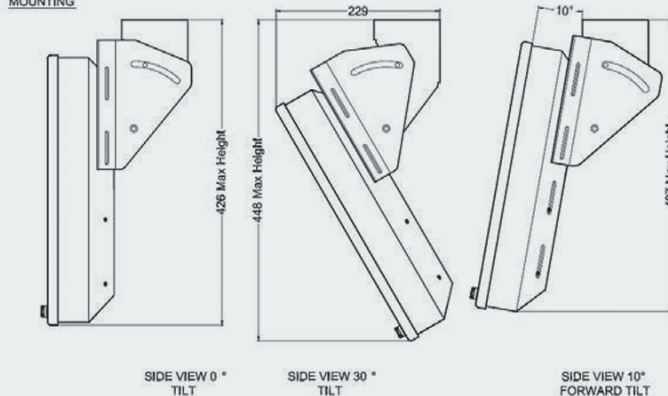


Mounting Bracket Installation

DESKTOP MOUNTING



CEILING MOUNTING



Specifications: see next page

Specifications		
TFT Characteristics	Type Max. Resolution Active Display Area Response time Contrast Ratio* Brightness* Viewing angles (at CR>10) Backlight life Nr. of colours	19" a-Si AM TFT 1280 x 1024 pixels 376.3 x 301.1 mm 15ms average, typical 500:1 typical 250 cd/m ² typical 170°H, 170°V 50,000 hrs typical 16 million
Video Signal	RGB 0.7-1.0Vp-p	
Sync Signal	Separate H&V (+/-ve) TTL or Composite	(-ve) TTL or Sync-on-Green (-ve) 0.3V
Composite Video Inputs	PAL & NTSC	
Synchronisation Range	Horizontal scan Vertical scan	15-84kHz 37 to 100Hz
Display modes	640 x 480 VGA, 800 x 600 SVGA, 1024 x 768 XGA, 1280 x 1024 SXGA (recommended)	
Power supply / cons.	15 - 30V DC / 60W (Max)	
Environmental	**Operating Temp Storage Temp Operating Humidity Storage Humidity Shock Vibration	-15 to +55 °C (IEC 60945 tests) -20 to +60 °C 30% to 90% (non condensing) 10% to 90% (non condensing) 10g, 11msec ½ sine +/-1mm, 2 to 13Hz: 0.7g, 13 to 100Hz
Dimensions	Monitor	431.2 x 376.5 x 107.9mm
	Weight	11 kg (approx.)
Input Connectors	RGB Signal Video Signal	9-pin Female D-Type (CGA & EGA) 15-pin HD Female D-Type (VESA) x5 BNC with 'Loop-Through' Facility BNC
Sealing	IP23 (IP65 front)	Housing: Aluminium
User controls	Front mounted	
Approvals	ECDIS & Radar Compliance EMC & Safety Marine Communications	IEC 61174 (Designed to comply) EN 60950 (Designed to comply) IEC 60945 (Designed to comply)
Part numbers		
Model	29LM193D55UNP/1	
Ancillaries	Touchscreen Mounting Bracket	Available upon request 29ST0011

Specifications are subject to change without notice.

* Brightness and contrast refer to naked LCD panel.

**Quoted EN60945 test. We do not recommend routine operation at extreme temperatures

• Monitors

Desktop Monitors
Large screen Monitors
Custom-made Monitors
19" Rack Mount Monitors
Rear Mount Monitors
Monitors for Panel Mount
Monitors for VESA Mount
Kiosks
Accessories

• Monitors – Specific applications

Stainless Steel Monitors
Car Displays
Marine Monitors
Military Monitors
Replacement Monitors
Train Monitors

• Panel PC's

High Performance Systems
Custom made Panel PC's
Low Power Systems
Extreme environments

• Pointing devices

Accessories
Touchpads
Trackballs
Trackball Modules
Joysticks
Custom made Pointing Devices

• Keyboards

Desktop Keyboards with or without pointer
Built-in Keyboards with or without pointer
Cables & Connectors
Custom made Keyboards



Mulder-Hardenberg, est. 1927, is the answer to professional demands in the domain of electronic related environments. We don't just sell products. We use our multidiscipline knowledge to provide the best possible solution, designed to your specific interest.

Contact details:

The Netherlands
Mulder-Hardenberg B.V.
Westerhoutpark 1a
2012 JL Haarlem
Tel.: +31 23 531 91 84
infoNL@m-h.biz

Belgium, France, Luxemburg
Mulder-Hardenberg N.V.
Hoge Weg 129
B-2940 Stabroek
Belgium
Tel.: +32 3 660 13 20
infoBE@m-h.biz

Germany
Mulder-Hardenberg GmbH
Nordring 13
D-65719 Hofheim/Ts
Tel.: +49 6192 - 97 91 85
infoDE@m-h.biz